



# ULTRA Dock Shelter® with HINGE GUARD™

## DOCK SHELTER SPECIFICATIONS

MODEL S-2200

The ULTRA Dock Shelter® Model S-2200 combines the flexibility of a seal and the full trailer access of a shelter. It creates a tight seal between the building wall and the back of the truck. HINGE GUARD™ effectively prevents air infiltration into the warehouse through the trailer hinge gaps, saving energy and adding comfort for your employees.

### Design Highlights

- Impactable Foam-filled Side Members
- Roll-formed Galvanized Steel Framing
- Fiberglass Stays in Side/Head Curtains
- Translucent Head Member Transmits Light
- Raked Header for Moisture Run-off
- Foam Filled Draft Pads
- Full Range of Colors and Fabrics

### HINGE GUARD™ Design Highlights

- Effectively seals hinge gap at opened trailer doors
- Made of High Molecular Weight Polyethylene (HMWPE)
- Attached Securely with Industrial Hook and Loop for Easy Replacement



### Project Information

Job Name \_\_\_\_\_  
 Address \_\_\_\_\_  
 General Contractor \_\_\_\_\_  
 Distributor \_\_\_\_\_  
 Model \_\_\_\_\_ Quantity \_\_\_\_\_

### Certified For Construction

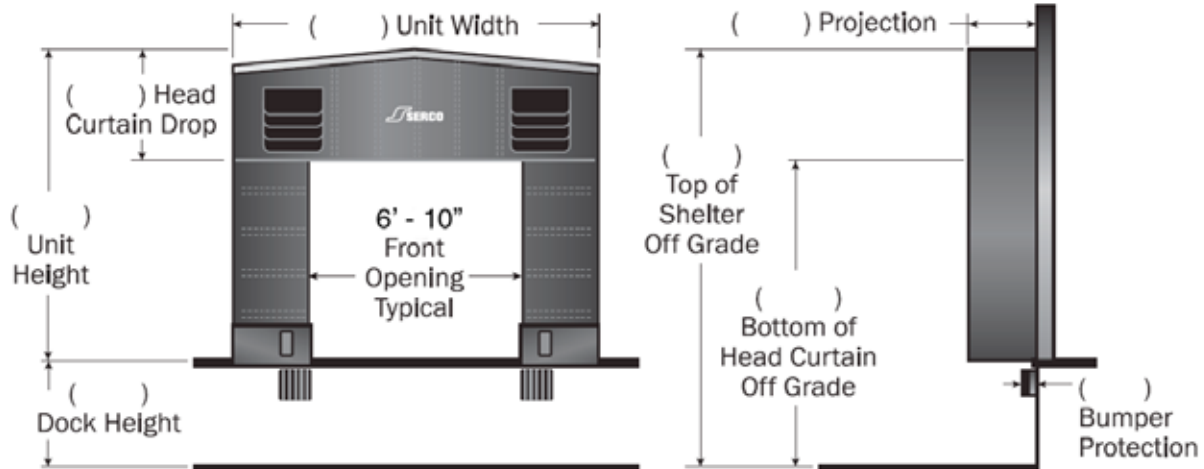
By \_\_\_\_\_  
 Company \_\_\_\_\_  
 Address \_\_\_\_\_  
 Date \_\_\_\_\_



# ULTRA Dock Shelter<sup>®</sup> with HINGE GUARD<sup>™</sup>

## DOCK SHELTER SPECIFICATIONS

MODEL S-2200



### TRUCKS AND TRAILERS SERVICED

Width: \_\_\_\_\_ Max. \_\_\_\_\_ Min.  
 Height: \_\_\_\_\_ Max. \_\_\_\_\_ Min.  
 Length: \_\_\_\_\_ Max. \_\_\_\_\_ Min.  
 Type of Trailer:  Standard  Refrigerated  
 (\*Not Applicable for Hinge Guard - Hydraulic Tailgate, Rear Step Section)

### APPLICATION DATA

Door Width: \_\_\_\_\_ ft. \_\_\_\_\_ in.  
 Door Height: \_\_\_\_\_ ft. \_\_\_\_\_ in.  
 Dock Height: \_\_\_\_\_ ft. \_\_\_\_\_ in.  
 Bumper Protection\*: \_\_\_\_\_ in.  
 (\*Includes bumper projection and any building wall/foundation offset or cantilever)

### QUANTITY \_\_\_\_\_

**Drive/Approach**  Level  Incline  Decline \_\_\_\_\_ % of Grade

Please check box from each category:

- Building Wall Structure**  Metal  Other
- Unit Width**  11'-6"  11'-9"  11'-10"  12'-1"
- Unit Height**  11'-0"  11'-6"  12'-0"  12'-6"
- Head Member Style**  Raked  Flat
- Curtain Material**  22 oz. Vinyl  40 oz. Vinyl  40 oz. CSM  XL-100<sup>™</sup>
- Color**  Black  Tan  Brown  Blue  Green
- Head Curtain Drop**  30"  36"  42"  48"  54"  \_\_\_\_\_"
- Taper**  Yes  No
- Top Projection**  24"  26"  28"  30"  36"  42"  \_\_\_\_\_"
- Bottom Projection**  24"  26"  28"  30"  36"  42"  \_\_\_\_\_"
- Options**  Door Numbers  Full Length Guide Stripes

\*Conversions: To convert measurements to metric, see formulas below:

Inches x 25.4 = millimeters (Example: 4" x 25.4 = 101.6 mm)

Feet x .3048 = meters (Example: 12' x .3048 = 3.66 m)

\*Note: Consult factory for blackout application assistance.



ENTREMATIC