



SCISSORS LIFT PIT DETAIL

3 SIDED PIT

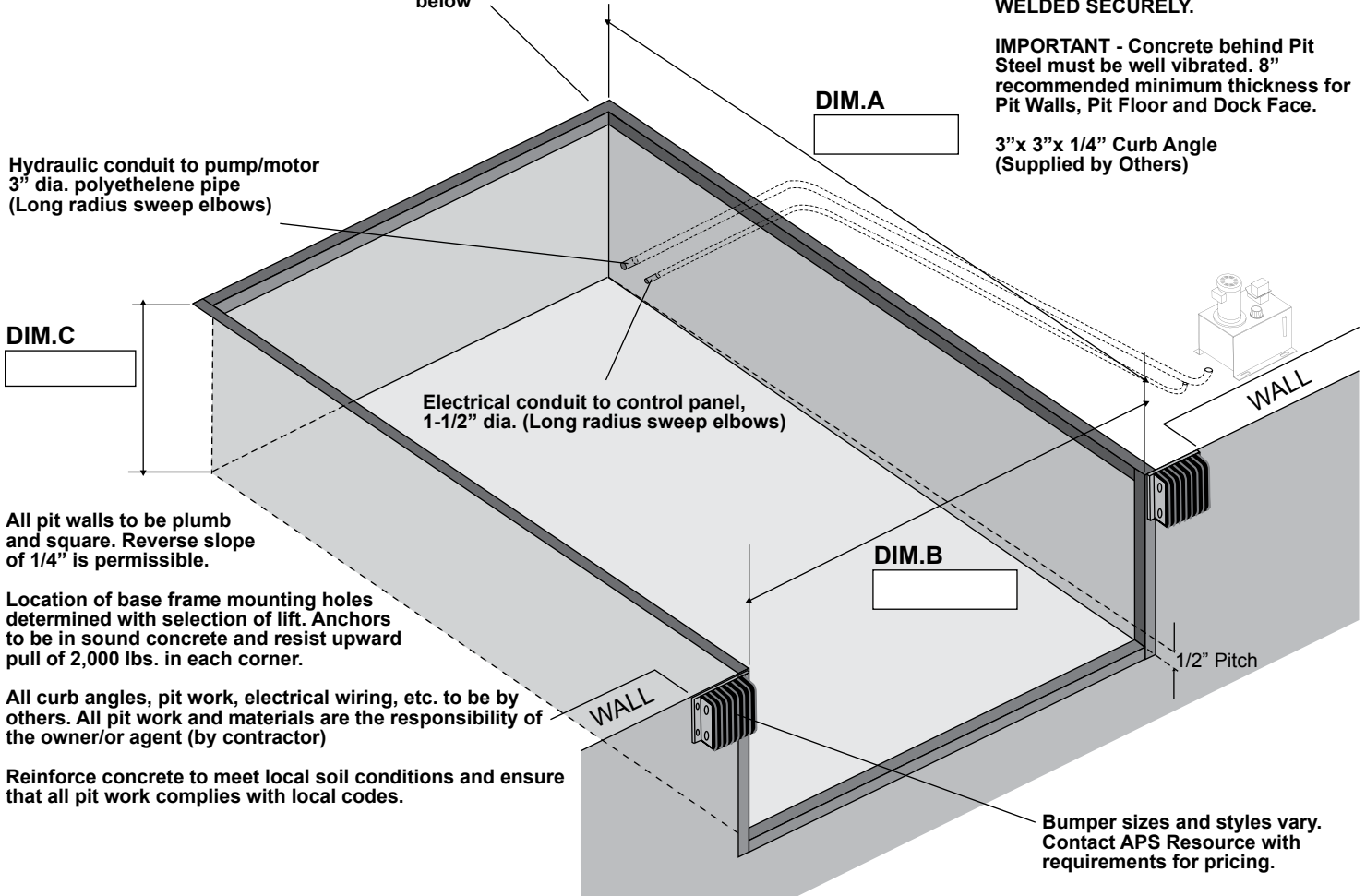
IMPORTANT - Side Curb Angles must be 90 degrees to Dock Face and to Rear Curb.

ALL CURB ANGLE JOINTS TO WELDED SECURELY.

IMPORTANT - Concrete behind Pit Steel must be well vibrated. 8" recommended minimum thickness for Pit Walls, Pit Floor and Dock Face.

3"x 3"x 1/4" Curb Angle (Supplied by Others)

For pit construction with power unit recess, see "Optional Power Unit Recess" illustration below



Hydraulic conduit to pump/motor
3" dia. polyethelene pipe
(Long radius sweep elbows)

DIM.C

Electrical conduit to control panel,
1-1/2" dia. (Long radius sweep elbows)

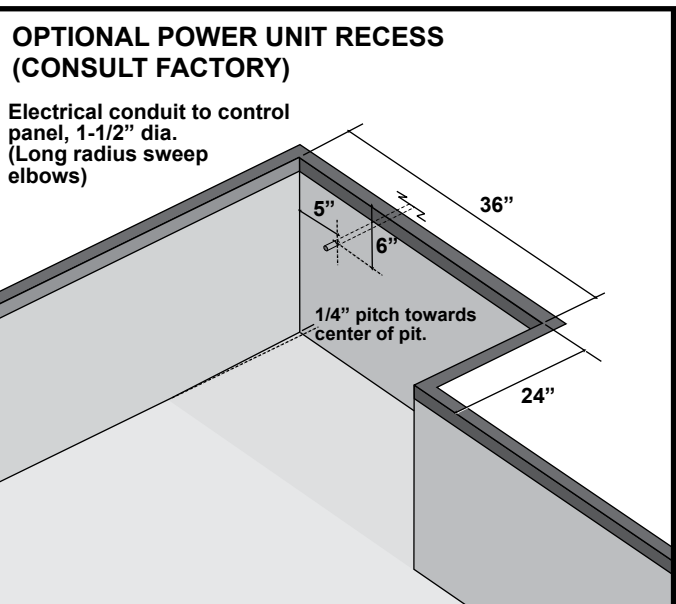
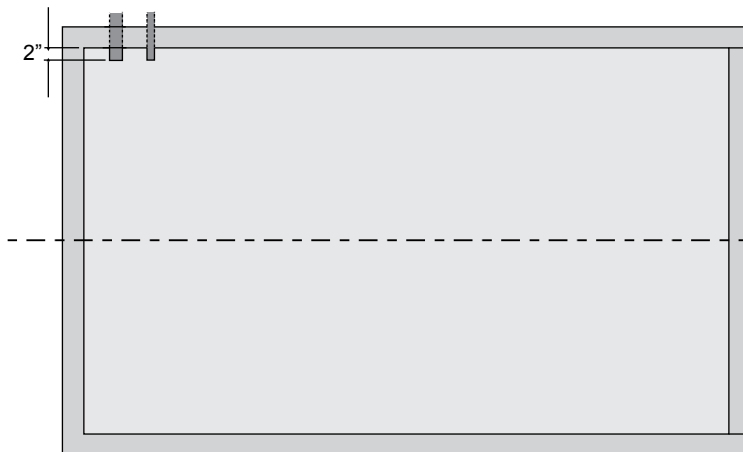
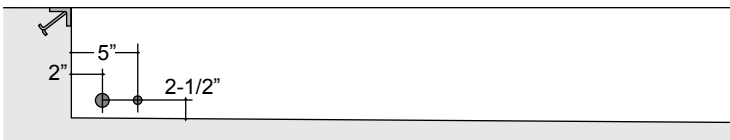
All pit walls to be plumb and square. Reverse slope of 1/4" is permissible.

Location of base frame mounting holes determined with selection of lift. Anchors to be in sound concrete and resist upward pull of 2,000 lbs. in each corner.

All curb angles, pit work, electrical wiring, etc. to be by others. All pit work and materials are the responsibility of the owner/or agent (by contractor)

Reinforce concrete to meet local soil conditions and ensure that all pit work complies with local codes.

Bumper sizes and styles vary. Contact APS Resource with requirements for pricing.



NOTE: Serco reserves the right to incorporate product updates at any time without prior notice.

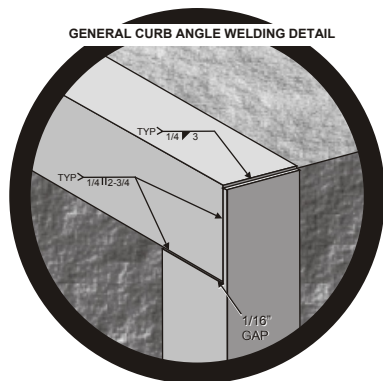
NOTICE

Pit Dimensional Tolerances are +/- 1/8" on squareness, Depth, Width and Length.
 SERCO Assumes No Liability for Deviations beyond this Tolerance.

MODEL	PIT DIMENSIONS				CURB ANGLE LENGTHS			
	Dim. "A" 4K to 6K	Dim. "A" 8K to 20K	Dim. "B"	Dim. "C"	REAR (1)	FRONT (1)	SIDE (2)	FACE (2)
48 x 96	98"	99"	50"	varies	50"	50"	"A" + 3"	"C" + 3 1/2"
60 x 96	98"	99"	62"	varies	62"	62"	"A" + 3"	"C" + 3 1/2"
72 x 96	98"	99"	74"	varies	74"	74"	"A" + 3"	"C" + 3 1/2"
72 x 108	110"	111"	74"	varies	74"	74"	"A" + 3"	"C" + 3 1/2"
72 x 120	122"	123"	74"	varies	74"	74"	"A" + 3"	"C" + 3 1/2"
72 x 144	146"	147"	74"	varies	74"	74"	"A" + 3"	"C" + 3 1/2"
84 x 96	98"	99"	86"	varies	86"	86"	"A" + 3"	"C" + 3 1/2"
84 x 108	110"	111"	86"	varies	86"	86"	"A" + 3"	"C" + 3 1/2"
84 x 120	122"	123"	86"	varies	86"	86"	"A" + 3"	"C" + 3 1/2"
84 x 144	146"	147"	86"	varies	86"	86"	"A" + 3"	"C" + 3 1/2"
96 x 96	98"	99"	98"	varies	98"	98"	"A" + 3"	"C" + 3 1/2"
96 x 108	110"	111"	98"	varies	98"	98"	"A" + 3"	"C" + 3 1/2"
96 x 120	122"	123"	98"	varies	98"	98"	"A" + 3"	"C" + 3 1/2"
96 x 144	146"	147"	98"	varies	98"	98"	"A" + 3"	"C" + 3 1/2"
SPECIAL	Dim "A"	Dim "B"	Dim "C"					

***NOTE - Adjust pit length (Dim. A") to allow for wall and door thickness**

PROJECT INFORMATION



Job Name _____

Address _____

General Contractor _____

Kelley Distributor _____

Scissors Lift Model _____ Voltage _____

Quantity _____

CONSTRUCTION APPROVAL

Company _____

Address _____

By _____

Date _____