



# Rigid Frame Dock Shelter

## DOCK SHELTER SPECIFICATIONS

MODEL S 420

The Serco S-420 Rigid Frame Dock Shelter is manufactured with galvanized steel framing, providing improved durability and consistency over wood framing. The S-420 can accommodate a wide variety of trailer sizes while providing full, unimpeded access to the back of the trailer.



### Design Highlights

- Raked Translucent Head Frame Protects Dock from Elements While Allowing Natural Light to Enter Dock Area
- Overlapping Layers of Fabric Provide More Wear Resistance Against the Sharp Corners of the Trailer, Extending the Life of the Shelter
- Flexible Fiberglass Stays Ensure That Head and Side Curtain Pressure is Maintained on the Truck Body While Compressible Neoprene Cords Conform to the Vehicle's Irregular Perimeter
- High Visibility Guide Stripes Assist Drivers with Proper Positioning of Trailer
- Frame Covered with Translucent Fiberglass Allowing Natural Light to Enter the Dock Area
- Steel Supports Protect Frame From Off-center Trailers
- Roll-formed Galvanized Steel Framing (5-year Warranty)
- Choice of Fabric and Colors

### Project Information

Job Name \_\_\_\_\_  
Address \_\_\_\_\_  
General Contractor \_\_\_\_\_  
Distributor \_\_\_\_\_  
Model \_\_\_\_\_ Quantity \_\_\_\_\_

### Certified For Construction

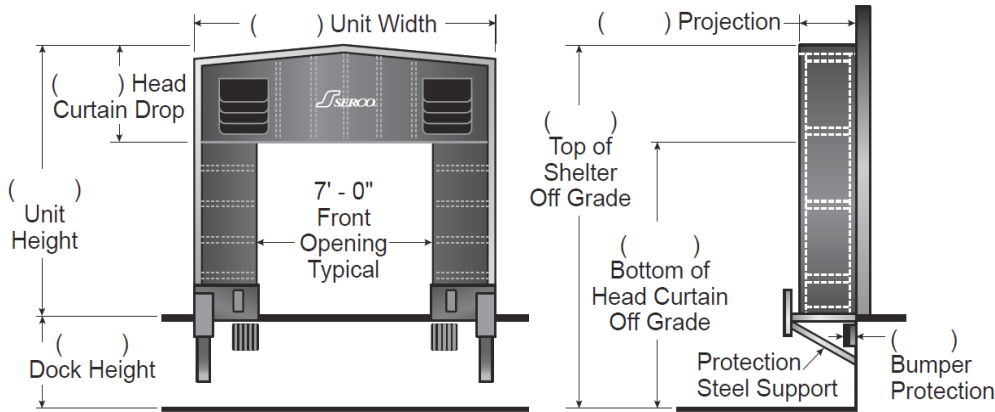
By \_\_\_\_\_  
Company \_\_\_\_\_  
Address \_\_\_\_\_  
Date \_\_\_\_\_



# Rigid Frame Dock Shelter

## DOCK SHELTER SPECIFICATIONS

MODEL S 420



### APPLICATION DATA

Door Width: \_\_\_\_\_ ft. \_\_\_\_\_ in.  
 Door Height: \_\_\_\_\_ ft. \_\_\_\_\_ in.  
 Dock Height: \_\_\_\_\_ ft. \_\_\_\_\_ in.  
 Bumper Protection\*: \_\_\_\_\_ in.  
 (\*Includes bumper projection and any building wall/foundation offset or cantilever)

### TRUCKS AND TRAILERS SERVICED

Width: \_\_\_\_\_ Max. \_\_\_\_\_ Min.  
 Height: \_\_\_\_\_ Max. \_\_\_\_\_ Min.  
 Length: \_\_\_\_\_ Max. \_\_\_\_\_ Min.  
 Hydraulic Tailgate:  Yes  No  
 Rear Step Section:  Yes  No  
 Tailgate/Step Section Size: \_\_\_\_\_ In.  
 Yard Jockeys:  Yes  No

**QUANTITY** \_\_\_\_\_  Complete Unit  Common Member  
**Drive/Approach**  Level  Incline  Decline \_\_\_\_\_ % of Grade

Please check box from each category:

- Framing**  Standard Galvanized Steel  Steel Tube
- Building Wall Structure**  Metal  Other
- Unit Width**  11'-6"  12'-0"  12'-6"  13'-0"  \_\_\_\_\_"
- Unit Height**  11'-0"  11'-6"  12'-6"  13'-6"  14'-6"  15'-6"
- Head Member Style**  Raked  Flat  Single Steel Tube
- Base Material**  22oz Vinyl  40 oz. Vinyl  40 oz. CSM  XL-100™
- Color**  Black  Tan  Brown  Blue  Green
- Head Curtain Drop**  30"  36"  42"  48"  54"  60"  66"  72"
- Taper**  Yes  No
- Top Projection**  24"  30"  36"  42"  48"  \_\_\_\_\_"
- Bottom Projection**  24"  30"  36"  42"  48"  \_\_\_\_\_"
- Draft Pads**  24"  30"  36"  42"  48"
- Steel Supports**  None  24"  30"  36"  42"  48"  54"
- Steel Support Extensions**  None  6"  12" (Specify front channel or back extension)
- Options**  Door Numbers  Flame Retardant Fabric  Full Length Guide Stripes  Pull Rope Assy.

\*Conversions: To convert measurements to metric, see formulas below:

Inches x 25.4 = millimeters (Example: 4" x 25.4 = 101.6 mm)

Feet x .3048 = meters (Example: 12' x .3048 = 3.66 m)

\*Note: Consult factory for blackout application assistance.

\*Note: Not all options are available with all models.

